



Italia

TEST REPORT RAPPORTO DI PROVA

STATIC LOAD IN ACCORDANCE TO ISO 17966:2016

§ 23.3.2.1

CARICO STATICO IN ACCORDO ALLA ISO 17966:2016 § 23.3.2.1

Customer (Richiedente):

- Dept./Firm (Ente/Società): Goman S.r.l.
- Mr./Mrs (Sig./Sig.ra.): Mr. Zambelli Rossano
- Address (Indirizzo): Via Maestri del Lavoro 8,
I-46043 Castiglione delle Stiviere (MN)

Test Request Form no.:

Modulo Richiesta Prova n.:

MES1120160ATR Rev. 00

Test Report sent to:

Rapporto inviato a:

Zambelli Rossano

Name and Signature of the test engineer:

Nome e Firma esecutore prova:

Simone FERRO

Name and Signature of the Technical reviewer:

Nome e Firma del Revisore tecnico:

Gianpaolo MENSA

Date of test samples receipt:

Data ricevimento campioni:

11.06.2018

Date of test execution:

Data esecuzione prove:

13.06.2018

Site of test execution (if different from the address in the footer):

Località esecuzione prove (se diversa dal piè pagina):

Witness to the test:

Presenti alle prove:

The test results contained in this Test report relate to the tested samples only.

I risultati del presente rapporto di prova si riferiscono esclusivamente al campione sottoposto a prova.

The integral reproduction of the present Test report is allowed; the partial reproduction must be authorized in writing by the Lab.

E' ammessa la riproduzione integrale del presente Rapporto di prova da parte del Richiedente; la riproduzione parziale dev'essere autorizzata per iscritto dal Laboratorio.

Form: ITA_F_09.01E (Rev.21 – August 26, 2016)

Test report n.: MES1120160ATR_Goman_Rev.00

Revision: 00

Document name: MES1120160ATR

Project handler:

Andrea Rotundo

Issue date: 15.06.2018

Phone: +39 0125 636911

Fax: +39 0125 636999

Andrea.Rotundo@tuv.it

TÜV Italia SRL

Divisione PS-Laboratori

Via Montalenghe 8

I-10010 Scarmagno TO Italy



Italia

1 TEST SETUP

SETUP DI PROVA

1.1 SAMPLE IDENTIFICATION

IDENTIFICAZIONE CAMPIONE

- 1.1.1 Product/material subjected to test:** Shower seats
Prodotto/materiale sottoposto a prova:
- 1.1.2 Description:** Shower seats made up metal and plastic material
Descrizione:
- 1.1.3 Level (Series product, prototype, etc.):** Series
Livello (Prodotto di serie, prototipo, ecc.):
- 1.1.4 Part number:** Model: GIO - X819/30, GIO – X816/30,
Codice prodotto: LEO - X818/01
- 1.1.5 Serial number:** Not available
N° Matricola:
- 1.1.6 Sample identification code:** Storix ID: 358408-1,2 and 3
Codice identificativo del campione:

1.2 AUXILIARY DEVICES

DISPOSITIVI AUSILIARI

None

1.3 TEST CONFIGURATION

CONFIGURAZIONE DI PROVA

According to ISO 17966:2016 § 23.3.2.1

1.4 DIAGNOSTIC SYSTEM

SISTEMA DIAGNOSTICO

According to ISO 17966:2016 § 23.3.2.1

Form: ITA_F_09.01E (Rev.21 – August 26, 2016)

Test report n.: MES1120160ATR_Goman_Rev.00

Revision: 00

Document name: MES1120160ATR

Project handler:

Andrea Rotundo

Issue date: 15.06.2018

Phone: +39 0125 636911

Fax: +39 0125 636999

Andrea.Rotundo@tuv.it

TÜV Italia SRL

Divisione PS-Laboratori

Via Montalenghe 8

I-10010 Scarmagno TO Italy



Italia

2 TEST LIST

ELENCO DELLE PROVE

Test Description	Reference document	Standardized	Differencies
2.1 STATIC LOAD CARICO STATICO	ISO 17966:2016 § 23.3.2.1	Yes	None

3 TEST EQUIPMENT USED

APPARECCHIATURE UTILIZZATE

Description	Manufacturer	Model	Serial no./ID	Used in test n.:
Flexometer	Mitutoyo	n° 216-382 Digicon TD- S551D	719456	2.1
Caliper	Mitutoyo	CD - 15 CP	02080451	2.1
Thermohygrometer	Gemini	Tinytag View2 TV-4500	581058	2.1
Dynamometer	Celmi	336A-1T-C3		2.1

4 ENVIRONMENTAL CONDITIONS

CONDIZIONI AMBIENTALI

4.1 ROOM TEMPERATURE 22 °C ± 2 °C
TEMPERATURA AMBIENTE

4.2 RELATIVE HUMIDITY 32 % ± 5 %
UMIDITA' RELATIVA

Form: ITA_F_09.01E (Rev.21 – August 26, 2016)

Test report n.: MES1120160ATR_Goman_Rev.00

Revision: 00

Document name: MES1120160ATR

Project handler:

Andrea Rotundo

Issue date: 15.06.2018

Phone: +39 0125 636911

Fax: +39 0125 636999

Andrea.Rotundo@tuv.it

TÜV Italia SRL

Divisione PS-Laboratori

Via Montalenghe 8

I-10010 Scarmagno TO Italy



Italia

5 MEASUREMENT UNCERTAINTY

INCERTEZZA DI MISURA

Measurement uncertainties was estimated as expanded uncertainty obtained multiplying the standard uncertainty by the coverage factor k corresponding to a confidence level of about 95%. Declared uncertainties are obtained with factor k=2 except if otherwise specified.

Measurement	Expanded uncertainty	Found in test n.:
Temperature	± 2 °C	All

6 SAMPLING PLAN

PIANO DI CAMPIONAMENTO

Samples selected by the customer.

Form: ITA_F_09.01E (Rev.21 – August 26, 2016)

Test report n.: MES1120160ATR_Goman_Rev.00

Revision: 00

Document name: MES1120160ATR

Project handler:

Andrea Rotundo

Issue date: 15.06.2018

Phone: +39 0125 636911

Fax: +39 0125 636999

Andrea.Rotundo@tuv.it

TÜV Italia SRL

Divisione PS-Laboratori

Via Montalenghe 8

I-10010 Scarmagno TO Italy



Italia

7 TEST AND/OR MEASUREMENT RESULTS

RISULTATI DELLE PROVE E/O MISURE

7.1 STATIC LOAD

CARICO STATICO

The seat is loaded vertically according to for 60s (F1) with the centre of gravity 1/3 of the distance from the front edge.

The load shall be applied with a loading pad. To test both sides of the seat, the loading pad is then placed in turn on left (F2) and right (F3) hand side of the seat as close to the edge as possible.

Load of test is: $F = M \times G \times S$

M=150 Kg

G= 9.807

S= 1,5

Total Load= 2207 N

7.1.1 TEST OBJECTIVE

SCOPO DELLA PROVA

The products shall not break.

7.1.2 TEST RESULTS

RISULTATI DI PROVA

The products are conform to the requirement

8 REMARKS

NOTE

None.

Form: ITA_F_09.01E (Rev.21 – August 26, 2016)

Test report n.: MES1120160ATR_Goman_Rev.00

Revision: 00

Document name: MES1120160ATR

Project handler:

Andrea Rotundo

Issue date: 15.06.2018

Phone: +39 0125 636911

Fax: +39 0125 636999

Andrea.Rotundo@tuv.it

TÜV Italia SRL

Divisione PS-Laboratori

Via Montalenghe 8

I-10010 Scarmagno TO Italy



Italia

9 APPENDIX
APPENDICE

9.1 PHOTO DOCUMENTATION
DOCUMENTAZIONE FOTOGRAFICA

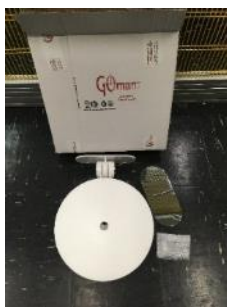
GIO - X816/30



LEO - X818/01



GIO - X819/30



Form: ITA_F_09.01E (Rev.21 – August 26, 2016)

Test report n.: MES1120160ATR_Goman_Rev.00

Revision: 00

Document name: MES1120160ATR

Project handler:

Andrea Rotundo

Issue date: 15.06.2018

Phone: +39 0125 636911

Fax: +39 0125 636999

Andrea.Rotundo@tuv.it

TÜV Italia SRL

Divisione PS-Laboratori

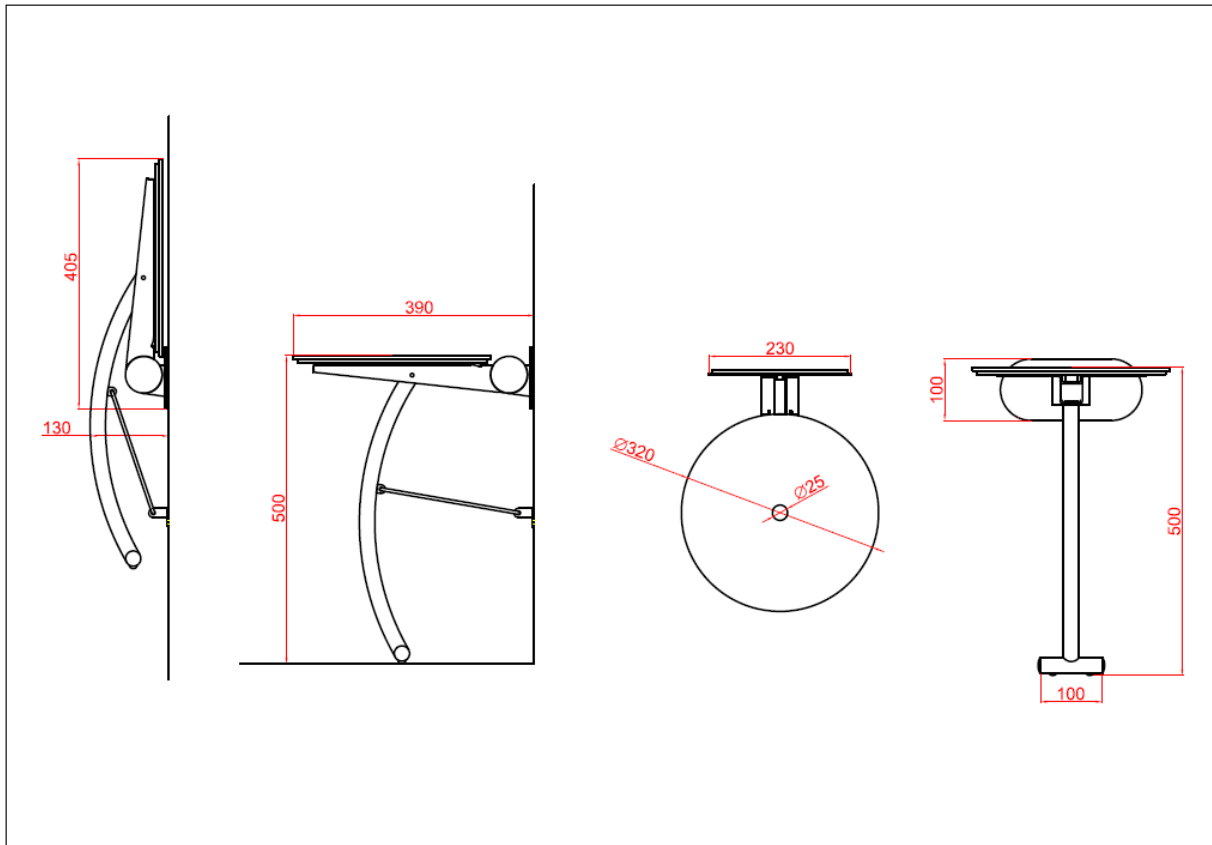
Via Montalenghe 8

I-10010 Scarmagno TO Italy



Italia

9.2 ATTACHMENTS ALLEGATI



GIO-X816

Form: ITA_F_09.01E (Rev.21 – August 26, 2016)

Test report n.: MES1120160ATR_Goman_Rev.00

Revision: 00

Document name: MES1120160ATR

Project handler:

Andrea Rotundo

Issue date: 15.06.2018

Phone: +39 0125 636911

Fax: +39 0125 636999

Andrea.Rotundo@tuv.it

TÜV Italia SRL

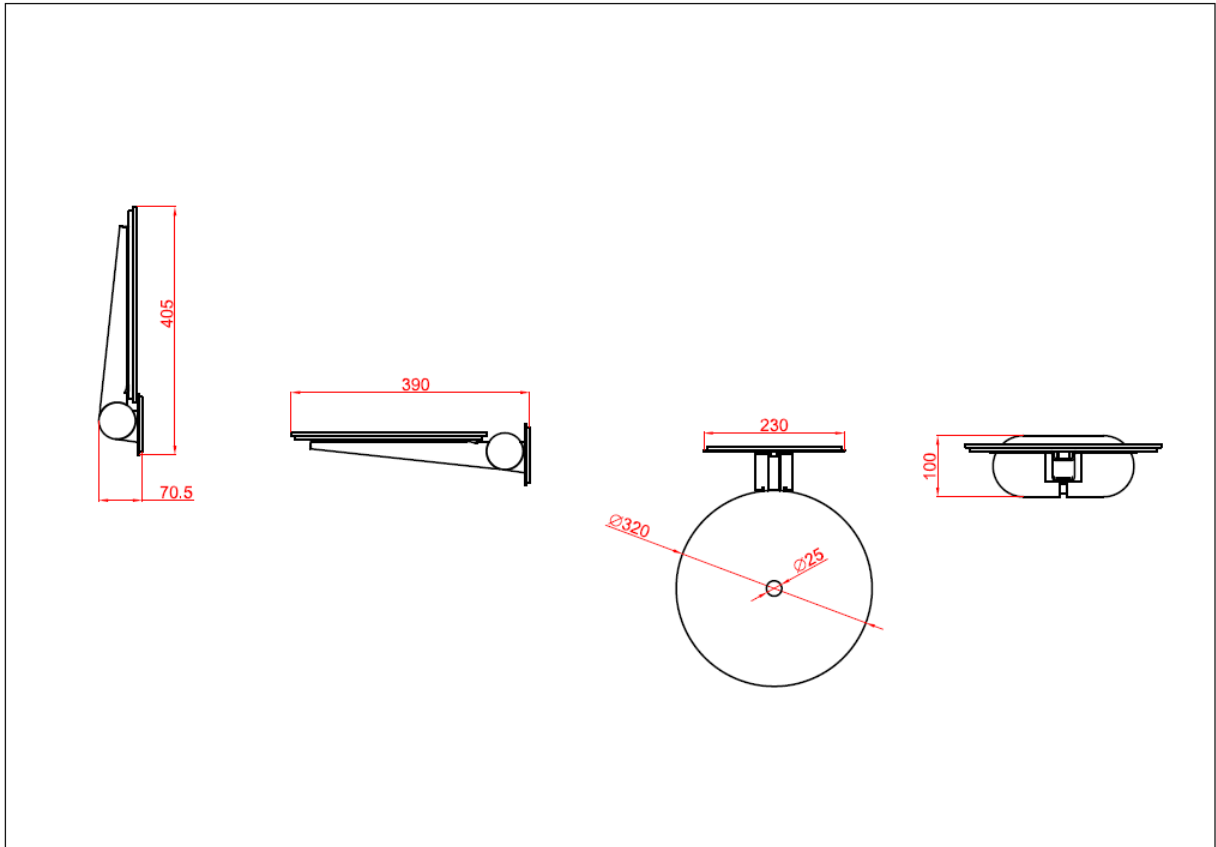
Divisione PS-Laboratori

Via Montalenghe 8

I-10010 Scarmagno TO Italy



Italia



GIO-X819

Form: ITA_F_09.01E (Rev.21 – August 26, 2016)

Test report n.: MES1120160ATR_Goman_Rev.00

Revision: 00

Document name: MES1120160ATR

Project handler:

Andrea Rotundo

Issue date: 15.06.2018

Phone: +39 0125 636911

Fax: +39 0125 636999

Andrea.Rotundo@tuv.it

TÜV Italia SRL

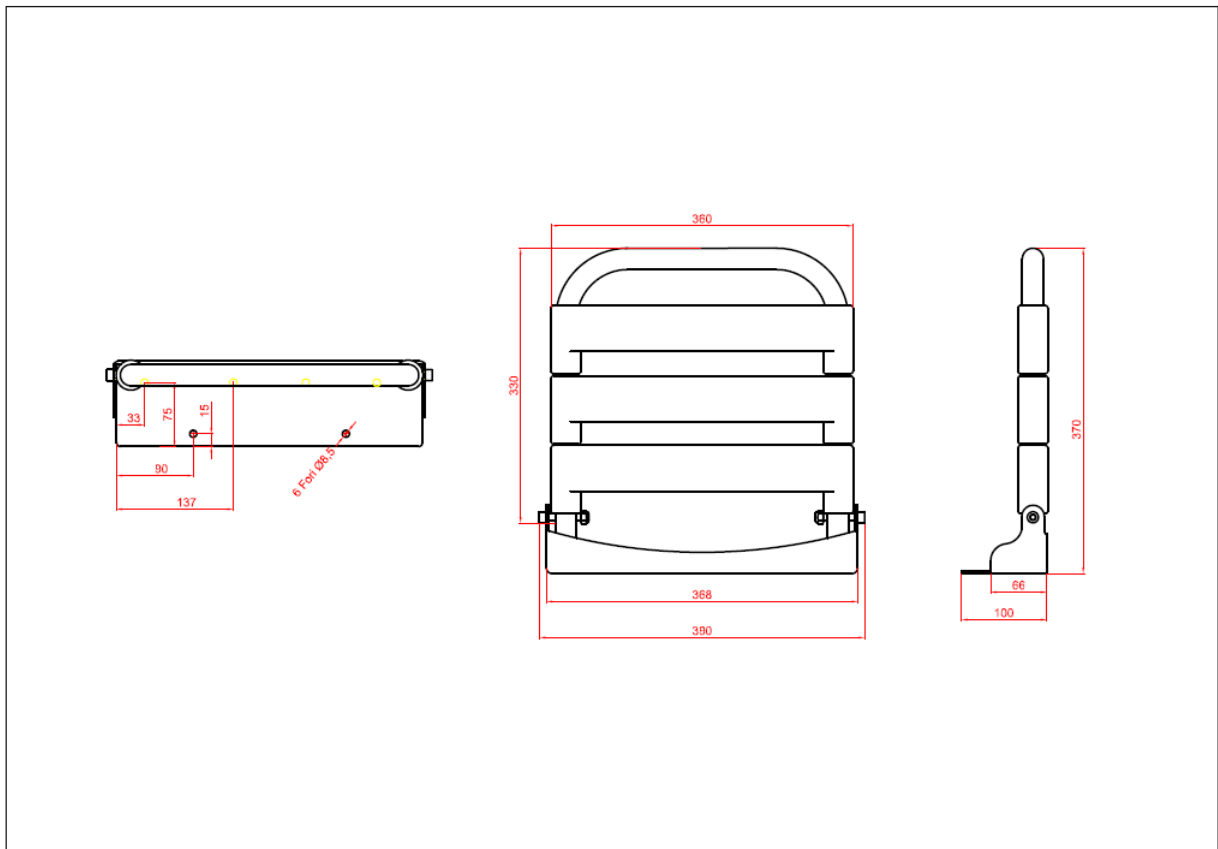
Divisione PS-Laboratori

Via Montalenghe 8

I-10010 Scarmagno TO Italy



Italia



GIO-X818

Form: ITA_F_09.01E (Rev.21 – August 26, 2016)

Test report n.: MES1120160ATR_Goman_Rev.00

Revision: 00

Document name: MES1120160ATR

Project handler:

Andrea Rotundo

Issue date: 15.06.2018

Phone: +39 0125 636911

Fax: +39 0125 636999

Andrea.Rotundo@tuv.it

TÜV Italia SRL

Divisione PS-Laboratori

Via Montalenghe 8

I-10010 Scarmagno TO Italy



Italia

10 SUMMARY

SOMMARIO

1	TEST SETUP	2
1.1	SAMPLE IDENTIFICATION	2
1.2	AUXILIARY DEVICES	2
1.3	TEST CONFIGURATION	2
1.4	DIAGNOSTIC SYSTEM	2
2	TEST LIST	3
2.1	STATIC LOAD	3
3	TEST EQUIPMENT USED	3
4	ENVIRONMENTAL CONDITIONS	3
4.1	ROOM TEMPERATURE	3
4.2	RELATIVE HUMIDITY	3
5	MEASUREMENT UNCERTAINTY	4
6	SAMPLING PLAN	4
7	TEST AND/OR MEASUREMENT RESULTS	5
7.1	STATIC LOAD	5
8	REMARKS	5
9	APPENDIX	6
9.1	PHOTO DOCUMENTATION	6
9.2	ATTACHMENTS	7
10	SUMMARY	10

Form: ITA_F_09.01E (Rev.21 – August 26, 2016)

Test report n.: MES1120160ATR_Goman_Rev.00
Revision: 00
Document name: MES1120160ATR

Project handler:
Andrea Rotundo
Issue date: 15.06.2018

Phone: +39 0125 636911
Fax: +39 0125 636999
Andrea.Rotundo@tuv.it

TÜV Italia SRL
Divisione PS-Laboratori
Via Montalenghe 8
I-10010 Scarmagno TO Italy