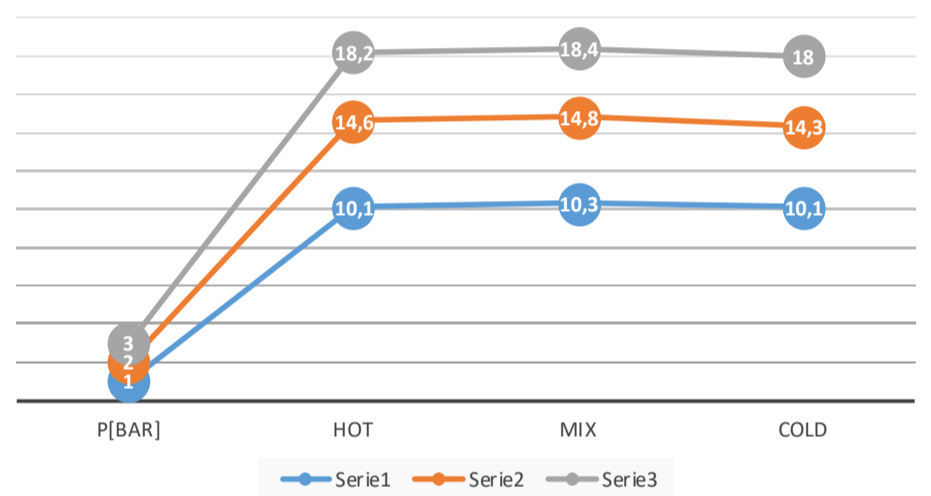
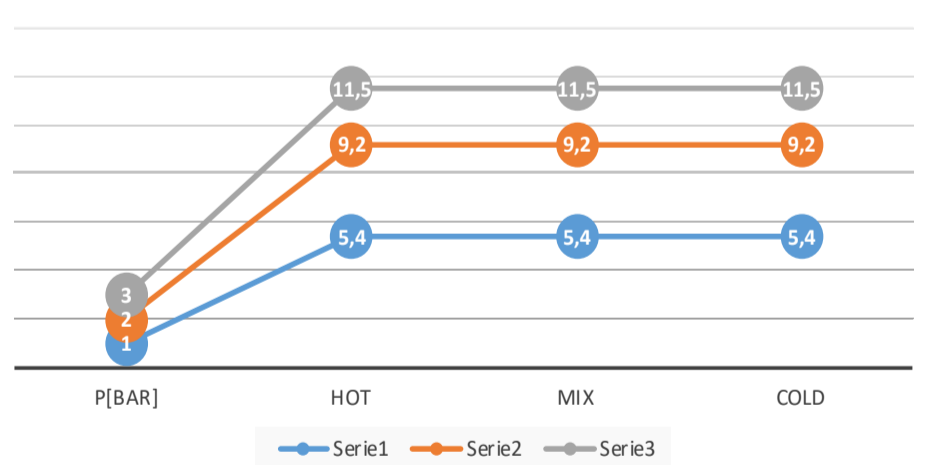


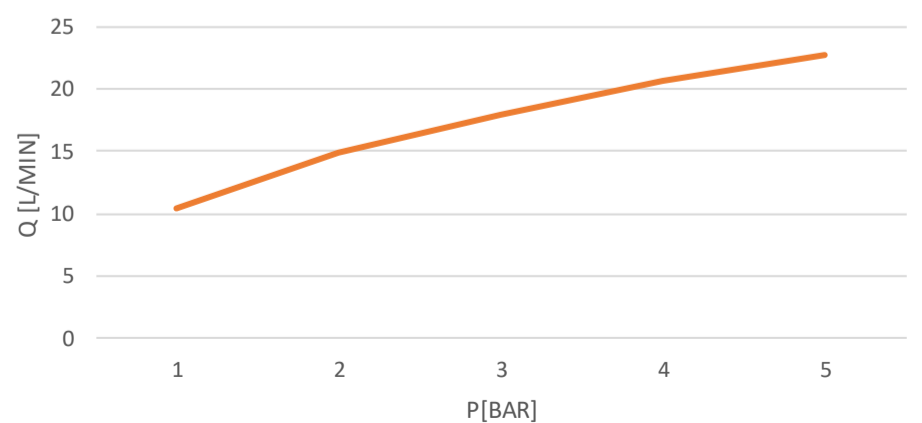
FLOW RATE [L/MIN] - PRIMARY OUTLET



FLOW RATE [L/MIN] - SECONDARY OUTLET A443CP



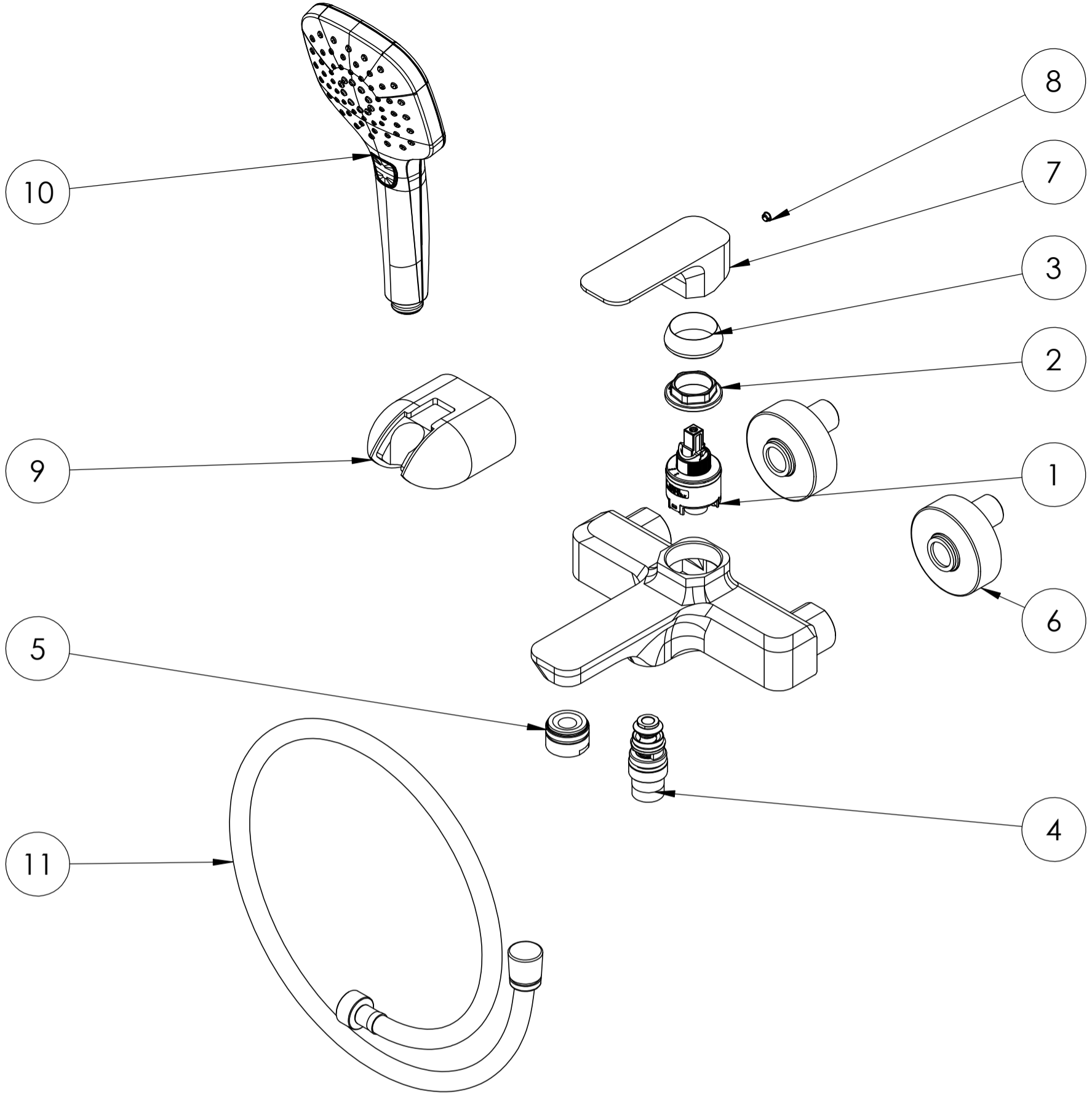
FREE DISCHARGE FLOW RATE - SECONDARY OUTLET



Data: 02/04/2021

Cod. : 9306451

Apice
A



Num. articolo	cod. REMER	cod. DANIEL
1	W50	
2	NGH	NGHT
3	CAW10	CAW10
4	SP600DEVCR	SP600DEVCR
5	84A	A804CR
6	89N	ECSUVICR
7	MATA	TA630
8	TAMAD	TAMAD
9	339	A540
10	318CP	A443CP
11	333CNX150	A505X150

Data: 02/04/2021

Cod. : 9306451 Apice
A